

The FIPA logo consists of the letters 'FIPA' in a bold, sans-serif font. The letter 'F' is red, while the letters 'I', 'P', and 'A' are black.

challenge accepted



PRODUCT RANGE

FIPALIFT
Tube lifters

Lifting technology – FIPALIFT

Our contribution to high efficiency and health preservation in the movement of loads

For the past 30 years, FIPA GmbH has been the innovator in vacuum technology and End-of-Arm-Tooling (EOAT) for the handling of various types of goods.

Based on our wealth of experience, we offer solutions for lifting small and large loads. We cover all areas of internal logistics and production – from heavy boxes and bags to workpieces made of wood and sheet steel.

Our FIPALIFT tube lifters offer manually directed lifting that can be individually matched to your sector's requirements. These permit efficient, rapid working and also provide physical relief for your employees.

An additional characteristic of our lifting devices is their compatibility with components throughout the entire range of FIPA vacuum technology and End-of-Arm-Tooling (EOAT). Thus, we can create customized special solutions for you quickly and efficiently.

Just like our tube lifters and vacuum traverses, our services are also tailored to your specific needs: Take advantage of our competence from the planning phase to installation or simply buy the components required and install them using your own resources.

However you decide to proceed, and whatever your requirement may be, any tailored solution can be realized using FIPALIFT.

We look forward to providing you and your employees with problem-free work solutions.



Rainer Mehrer,
President of FIPA

FIPALIFTpro	2
FIPALIFTmax	18
Accessories	29



Handle heavy objects without effort.
Work with efficiency and ease – **FIPALIFTpro**.



75kg load capacity



Work with ease



Simple one-hand control



Robust and durable



Ergonomic and efficient



For use in every industrial environment



FIPALIFTpro with its unique control handle design, allows for powerful lifting of loads up to 75kg. The intuitive, ergonomic, easy to use single handed controls create a versatile, user friendly and powerful solution. Lift, lower and balance the load all with one hand.

Our aim at FIPA is to provide equipment and solutions that create user happiness and thus promote workplace well-being. Effective ergonomic handling equipment requires operators being willing and able to use the equipment, so intuitive easy to use controls are essential.

Good Ergonomics bring good Economics. The FIPALIFTpro, with it's premium construction ensures a robust hard wearing product, that is able to meet the demands of all industrial environments, delivering an increase in both productivity and wellbeing.



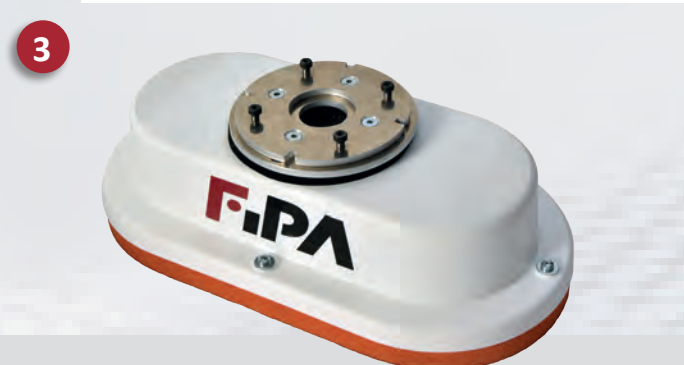
1
Ergonomic control handle allows for easy, smooth and quick lifting. The controls are easy to use for both left and right handed operators.

2
Integrated 90 degree angle joint and 360 degree swivel allow for flexible lifting. The quick disconnection system ensures the quick and smooth change between suction feet.

3/4
A wide range of suction feet are available to handle a wide variety of objects and applications. Pictured below are ...

Image 3: Sack foot for bag/sack handling

Image 4: Adjustable double rectangular suction foot.



FIPALIFTpro

FIPALIFTpro – Tube lifter set with vacuum generator

FIPALIFTpro – Tube lifter set with vacuum generator



Product notes

- > Tube lifter FIPALIFTpro in set with rotary rotary vane vacuum pumps
- > Innovative tube lifter for one-hand operation for handling e.g. packages, boxes, bags, canisters and much more that is dimensionally stable and mostly suction-tight
- > Quick-change adapter included as standard
- > Swivel and tilt joint included as standard
- > Release valve included as standard
- > Standard lifting hose length 2.30 m

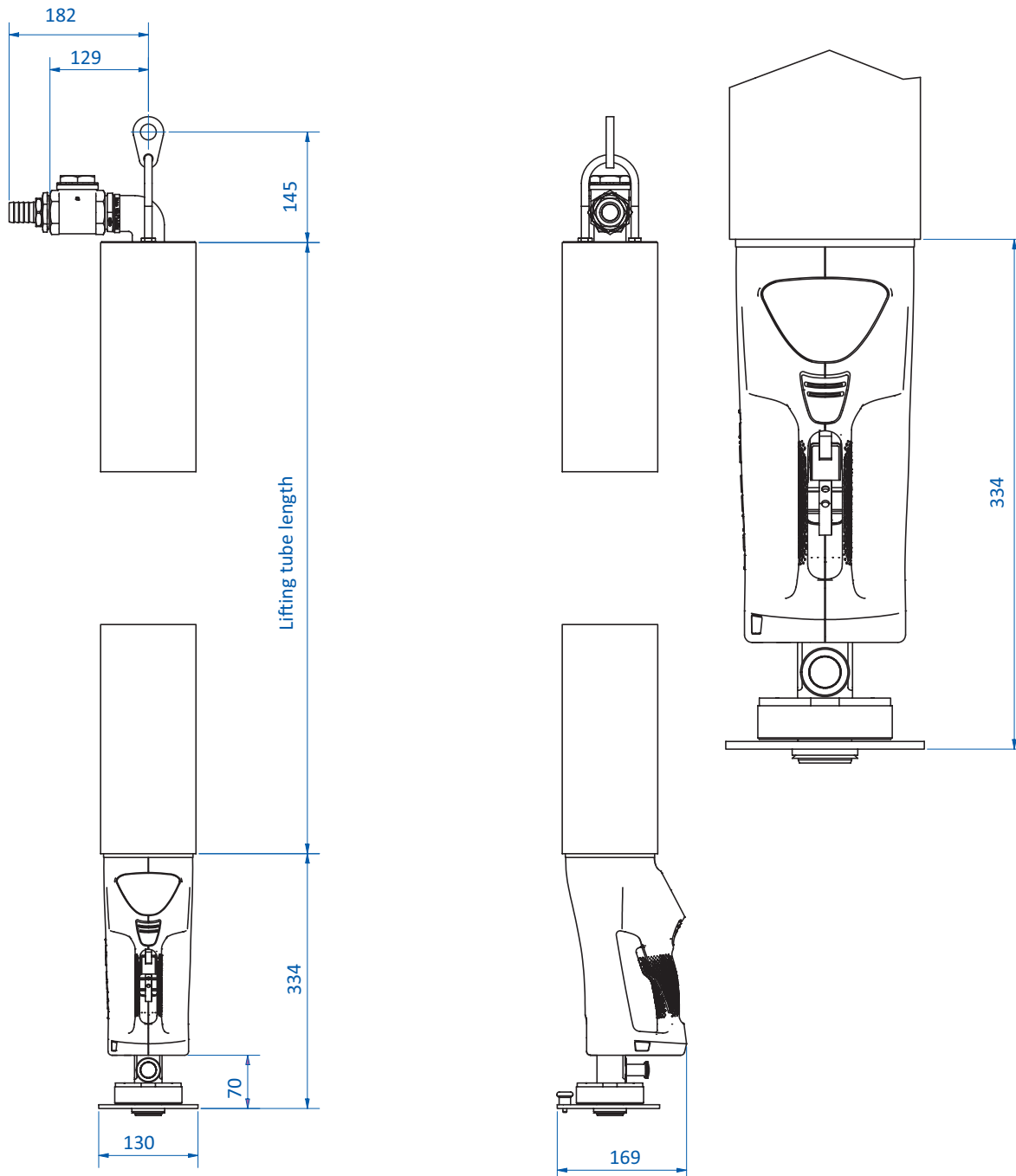
Technical data

Item no.	Ø Lifting tube [mm]	Vacuum generation	Max. Lifting force [kg]	Stroke [mm]	Suitable motor protection switch
SH.SET.PRO.100.DT40	100	DT.40B-3	31.5	1,790	SH.ACC.ALL.0210 SH.ACC.ALL.0211
SH.SET.PRO.100.DT60	100	DT.60C-3	35	1,790	SH.ACC.ALL.0211 SH.ACC.ALL.0212
SH.SET.PRO.120.DT40	120	DT.40B-3	45	1,760	SH.ACC.ALL.0210 SH.ACC.ALL.0211
SH.SET.PRO.120.DT60	120	DT.60C-3	55	1,760	SH.ACC.ALL.0211 SH.ACC.ALL.0212

Application examples



Dimensions



Ordering notes

- > Delivery takes place without suction and gripping means and the feed hose, please order separately
- > The rotary vane pump is delivered without electrical connection

FIPALIFTpro

FIPALIFTpro – Tube lifter set with vacuum generator

Scope of delivery

Set with rotary vane pump



- > 1x FIPALIFTpro
- > 1x Vacuum generator
- > 1x Filter
- > 1x Mounting and clamping material

Varioflex bellows vacuum cup with quick-change coupling for FIPALIFTpro

THE ALLROUNDER



Product notes

- > The proven Varioflex® bellows vacuum cup made of wear-resistant polyurethane composite material for use on the FIPALIFTpro tube lifter.
- > Ideal for handling small and medium-sized goods such as cartons and crates
- > Soft, flexible sealing lip in 30° Shore A to compensate unevenness well
- > Stable body in 60° Shore A for excellent recovery
- > Support ribs ensure an optimal suction surface at all times
- > Integrated quick-change adapter for the FIPALIFTpro

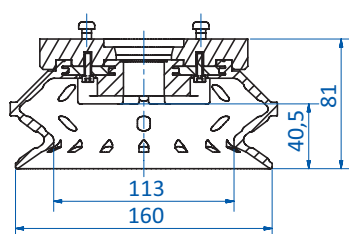
Ordering notes

- > Sufficient safety factor is critical

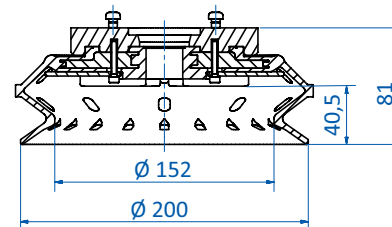
Technical data

Item no.	Diameter [mm]	Material	Suitable for Lifting tube diameter [mm]	Weight [kg]
SH.ACC.PRO.0010	160	PU Varioflex® 60°/30° (sw/r)	100	1.05
SH.ACC.PRO.0011	200	PU Varioflex® 60°/30° (sw/r)	100; 120	1.45

Dimensions



SH.ACC.PRO.0010 | SH.ACC.PRO.0011



SH.ACC.PRO.0011

Safety factor by lifting tube Ø

Item no.	Ø 100 mm	Ø 120 mm	Ø 160 mm
SH.ACC.PRO.0010	2	--	--
SH.ACC.PRO.0011	2.4	2	--

FIPALIFTpro

Multifunctional gripper FORMHAND for FIPALIFTpro

Multifunctional gripper FORMHAND for FIPALIFTpro



Product notes

The rectangular gripping pad called FORMHAND is equipped with a quick-change adapter for the FIPALIFTpro. Its unique technology enables gripping and suctioning of complex geometries and surfaces.

The FORMHAND is always used when there is no sufficiently large surface for classic vacuum cups.

- > Granulate filled gripping cushion freely deformable
- > Gripping cushion nestles to the surface
- > Gripping force acts on the entire surface covered
- > Bending objects are held flatly

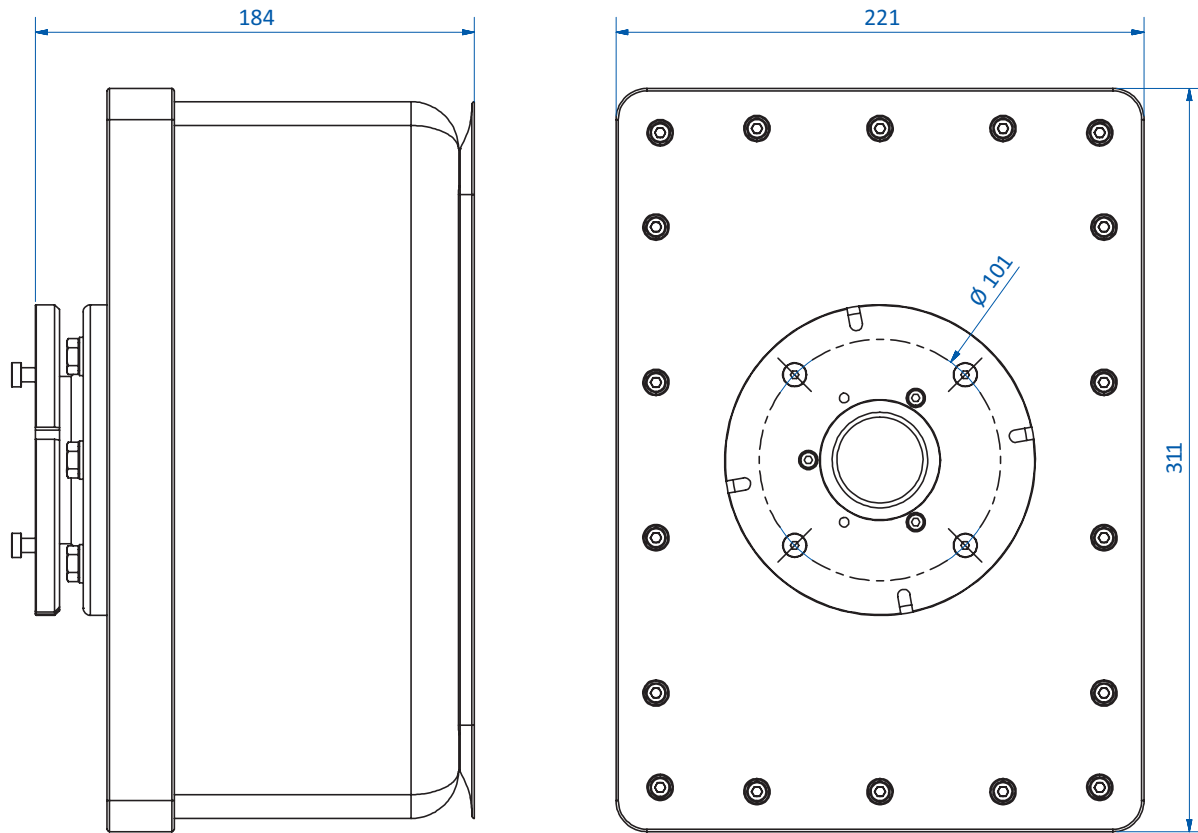
Technical data

Item no.	Suitable for	Length [mm]	Width [mm]	Height [mm]	Material	Max. work load [kg]	Weight [g]
SH.ACC.PRO.FH-E3020	FIPALIFTpro to Ø 160 mm	311	221	184	PU	50	2.9

Application examples



Dimensions



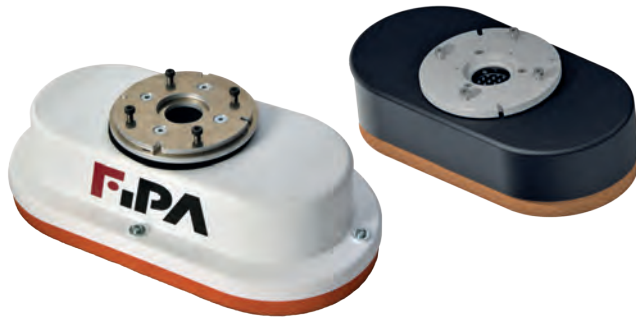
Safety factor by lifting tube \varnothing

Item no.	\varnothing 100 mm	\varnothing 120 mm	\varnothing 160 mm
SH.ACC.PRO.FH-E3020	5.6	3.9	2.2

FIPALIFTpro

Sack foot oval for FIPALIFTpro

Sack foot oval for FIPALIFTpro



Product notes

- > Extra-light suction cup made of plastic with NR foam
- > Well suited for lifting bags but also other goods with uneven surfaces
- > Includes quick-change adapter for FIPALIFTpro for changing the suction cup accessories without tools
- > Includes internal spacer grid to prevent the sack film from being sucked in

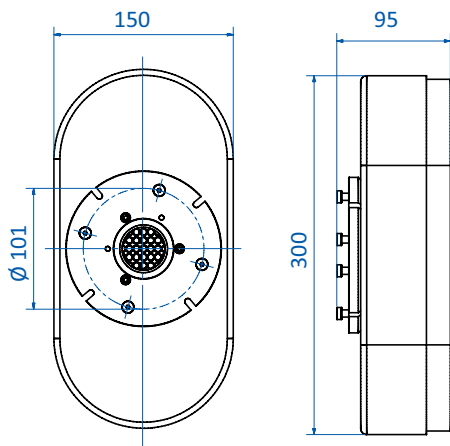
Technical data

Item no.	Suitable for	Production	Weight [kg]	Suitable replacement foam
SH.ACC.PRO.0021	FIPALIFTpro to Ø 120 mm	3D printing	0.9	SH.SPP.PRO.0021
SH.ACC.PRO.0020	FIPALIFTpro to Ø 160 mm	Injection molding	1.64	SH.SPP.ALL.0150

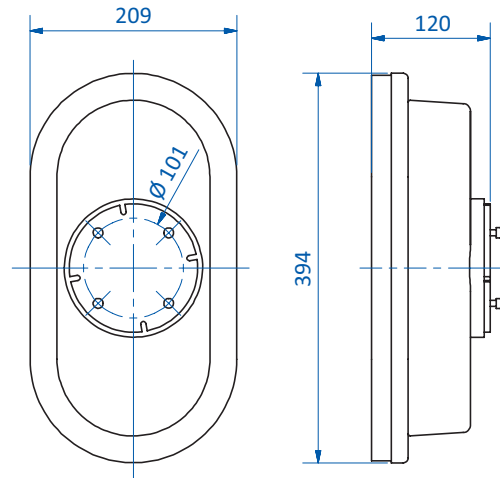
Application example



Dimensions



SH.ACC.PRO.0021



SH.ACC.PRO.0020

FIPALIFTpro

4 Cup Yoke foot rigid crossbars

4 Cup Yoke foot rigid crossbars



Product notes

- > Small frame for use with vacuum cups as accessories for FIPALIFTpro
- > For handling large cartons, boxes and medium-sized flat goods such as metal sheets
- > Incl. quick change adapter

Ordering notes

- > Sufficient safety factor is critical.
- > For horizontal handling a safety factor of at least 2.4 is required. For vertical handling, the safety factor increases to at least 4.0.
- > Model -OS: Vacuum cups are not included. You can choose vacuum cups from FIPA's wide range of products – observe the safety factor!

Technical data

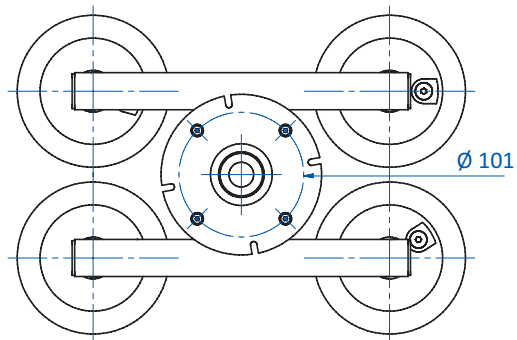
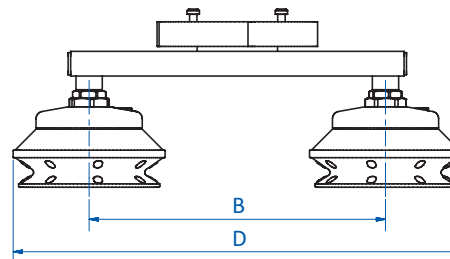
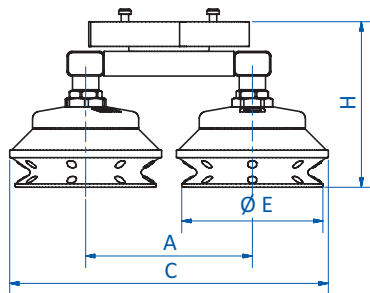
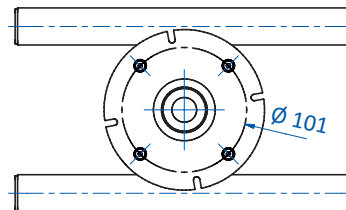
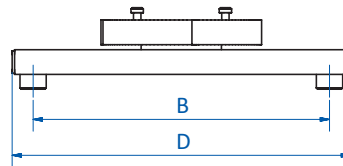
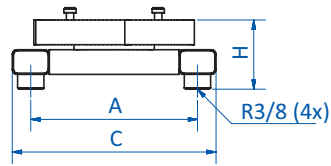
Item no.	with Vacuum cups	Suitable for Lifting tube diameter [mm]	Minimum diameter *) of the vacuum cup [mm] for lifting tube diameter 100 mm	Minimum diameter *) of the vacuum cup [mm] for lifting tube diameter 120 mm
SH.ACC.PRO.0050	4x Varioflex® Bellows vacuum cups Ø 115 mm 22.115.266.16	100; 120	--	--
SH.ACC.PRO.0051	4x Varioflex® Bellows vacuum cups Ø 115 mm 22.115.266.16	100; 120	--	--
SH.ACC.PRO.0052	4x Varioflex® Bellows vacuum cups Ø 160 mm 22.160.264.16	100; 120; 160	--	--
SH.ACC.PRO.0053	4x Varioflex® Bellows vacuum cups Ø 160 mm 22.160.264.16	100; 120; 160	--	--
SH.ACC.PRO.0050-OS	without	--	82	100
SH.ACC.PRO.0051-OS	without	--	82	100
SH.ACC.PRO.0052-OS	without	--	82	100
SH.ACC.PRO.0053-OS	without	--	82	100

*) active suction area, not outer diameter!

Safety factor by lifting tube Ø

Item no.	Ø 100 mm	Ø 120 mm	Ø 160 mm
SH.ACC.PRO.0050	3.3	2.4	--
SH.ACC.PRO.0051	3.3	2.4	--
SH.ACC.PRO.0052	6.25	4.3	2.4
SH.ACC.PRO.0053	6.25	4.3	2.4
SH.ACC.PRO.0050-OS	--	--	--
SH.ACC.PRO.0051-OS	--	--	--
SH.ACC.PRO.0052-OS	--	--	--
SH.ACC.PRO.0053-OS	--	--	--

Dimensions



Item no.	A [mm]	B [mm]	C [mm]	D [mm]	$\varnothing E$ [mm]	H [mm]
SH.ACC.PRO.0050	180	180	295	295	115	134
SH.ACC.PRO.0051	135	240	250	365	115	134
SH.ACC.PRO.0052	180	240	340	410	160	151
SH.ACC.PRO.0053	210	380	380	450	160	151
SH.ACC.PRO.0050-OS	180	180	200	204	--	56
SH.ACC.PRO.0051-OS	135	240	155	274	--	56
SH.ACC.PRO.0052-OS	180	240	200	274	--	56
SH.ACC.PRO.0053-OS	210	380	240	414	--	56

FIPALIFTpro

Double rectangular vacuum cups

Double rectangular vacuum cups



Product notes

- > 500 mm bar with 2 rectangular cups. Cups can be adjusted along the bars length to give flexibility in handling different sized objects.
- > Easy to change gasket made of NR
- > Quick-change adapter for FIPALIFTpro included in delivery
- > Mounted to an articulating joint to compensate for surface unevenness

Ordering notes

- > Sufficient safety factor is critical

Technical data

Item no.	with Vacuum cups	Material	Suitable for Lifting tube diameter [mm]	Weight [kg]	Suitable replacement gasket
SH.ACC.PRO.0030	2x rectangular 85x200 mm	NR black	100; 120	2.6	SH.SPP.PRO.0030
SH.ACC.PRO.0031	2x rectangular 110x300 mm	NR black	100; 120; 160	3.7	SH.SPP.PRO.0031

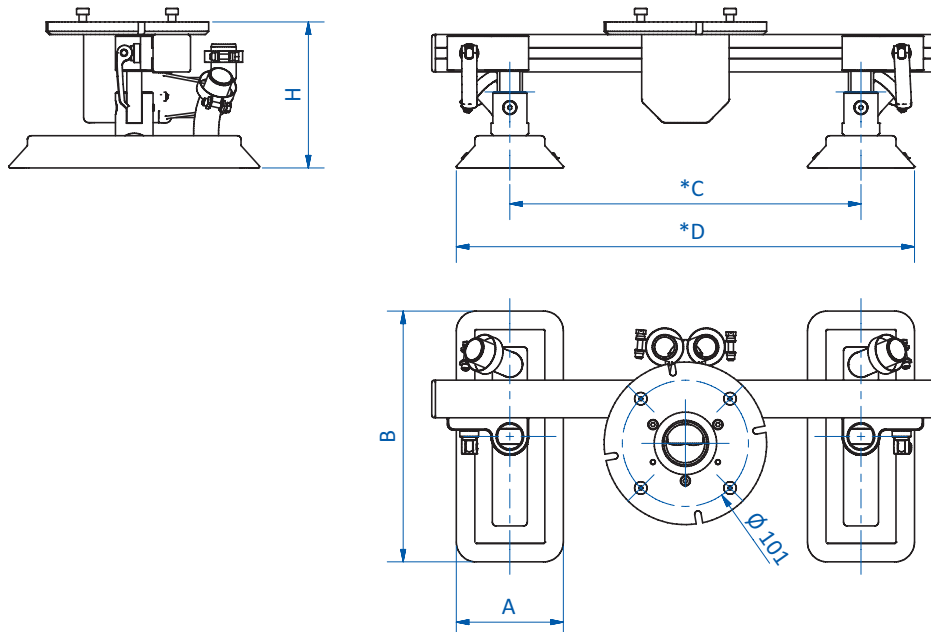
Safety factor by lifting tube \varnothing

Item no.	\varnothing 100 mm	\varnothing 120 mm	\varnothing 160 mm
SH.ACC.PRO.0030	4.3	3	--
SH.ACC.PRO.0031	8.4	5.8	3.2

Application example



Dimensions



* = infinitely adjustable

Item no.	A [mm]	B [mm]	C [mm]	D [mm]	H [mm]
SH.ACC.PRO.0030	85	200	100 - 285	180 - 360	115
SH.ACC.PRO.0031	110	300	125 - 285	240 - 400	120

FIPALIFTpro

Load hook with safety valve for FIPALIFTpro

Load hook with safety valve for FIPALIFTpro



Product notes

- > Hook for mechanically picking up goods that cannot be sucked in, e.g. canisters or buckets.
- > The hook is spring-loaded so that the vacuum circuit is only closed when it is under load. The full lifting function of the FIPALIFT is therefore guaranteed.
- > In the event of a sudden break in the load, this function prevents the tube lifter from jumping up dangerously
- > Integrated quick-change adapter for FIPALIFTpro

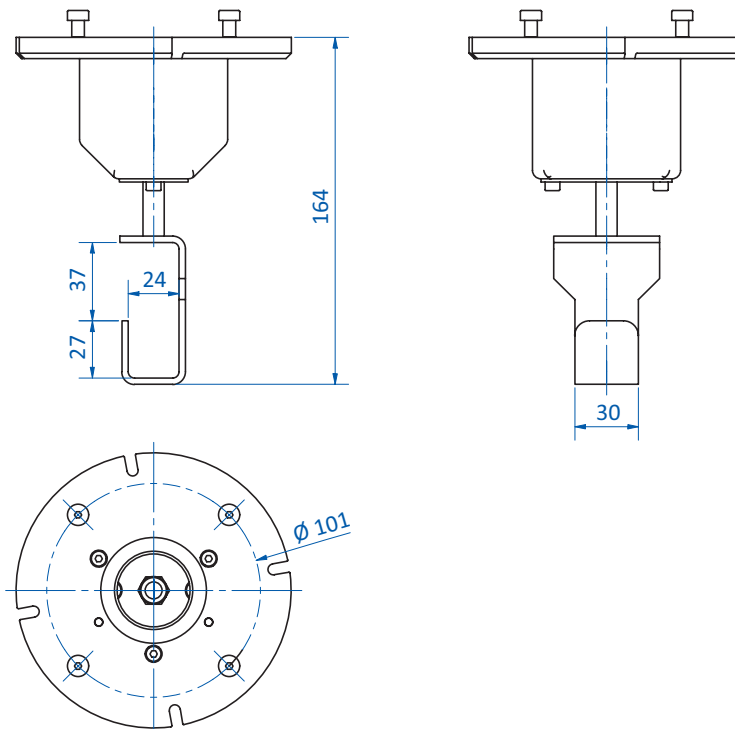
Notes

- > Always ensure that the goods to be lifted are sufficiently stable. Lugs or handles are not always suitable for lifting loads.

Technical data

Item no.	Suitable for Lifting tube diameter [mm]	Weight [kg]
SH.ACC.PRO.0040B	100; 120; 160	0.9

Dimensions



Quick change adapter lower part for FIPALIFTpro



Product notes

As a standard, the accessories for the FIPALIFTpro are already equipped with the quick-change adapter and it is not necessary to order it additionally.

Application:

- > for self-made load handling attachments
- > as a spare part for FIPA standard accessories

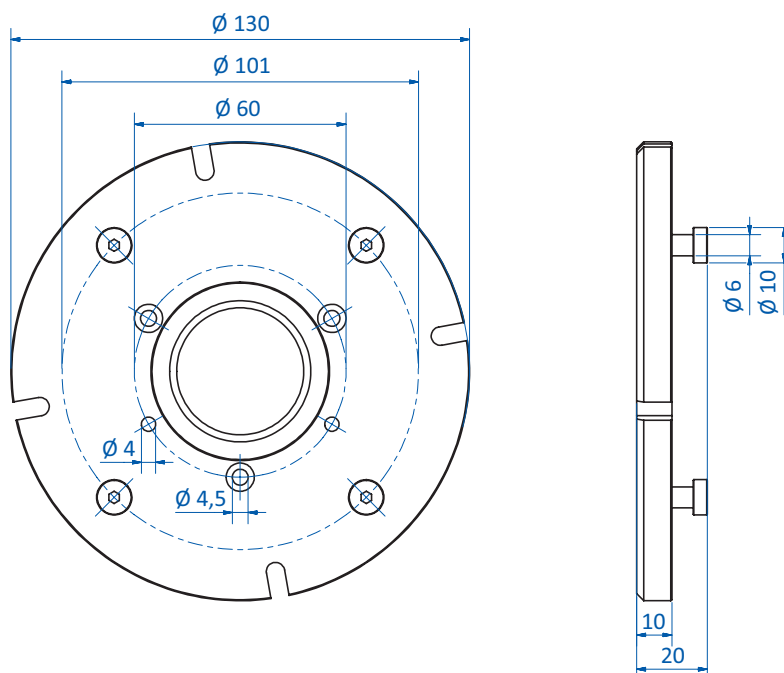
Notes

- > Please note that if you create your own load handling attachments, you are also responsible for CE conformity.

Technical data

Item no.	Weight [kg]
SH.ACC.PRO.0001	0.32

Dimensions



Universal use

The FIPALIFTmax, with a lifting capacity of up to 160 kg, is a flexible and durable solution to remove the risk of injury from lifting heavy objects. Suitable for handling everything from heavy sheets and plates to sacks, boxes, and crates. All lifted with ease; enhancing wellbeing in the workplace.

Its robust yet compact design makes the FIPALIFTmax an ideal solution for rough production environments.



Intuitive operation

Due to the simple twist grip, similar to that on a motorcycle, the operation of the tube lifter is uncomplicated, precise and above all intuitive.

“ It has never been more fun moving heavy goods in the course of everyday work. ”



Wide range of accessories

A wide range of accessories such as vacuum suction cups and gripper solutions make the FIPALIFTmax extremely variable and versatile.

For special requirements that are not covered by the standard program, we are happy to offer you uncomplicated special solutions on request – with the least effort.



Simple operation with the twist grip.



Quick-change adapter for the accessories included as standard.



Full range of vacuum pumps to suit every application.



Total flexibility with handle lengths of 250, 500, and 750mm available as standard.

FIPALIFTmax

FIPALIFTmax – Tube lifter set with vacuum generator

FIPALIFTmax – Tube lifter set with vacuum generator



Product notes

- > Tube lifter FIPALIFTmax in set with side channel compressor and mounting material
- > Robust tube lifter for two-handed operation for handling e.g. packages, boxes, sacks, canisters and much more which is dimensionally stable and is largely suction-tight
- > Quick-change adapter included as standard
- > Release valve included as standard
- > Standard lifting hose length is 2.30 m or 2.40 m

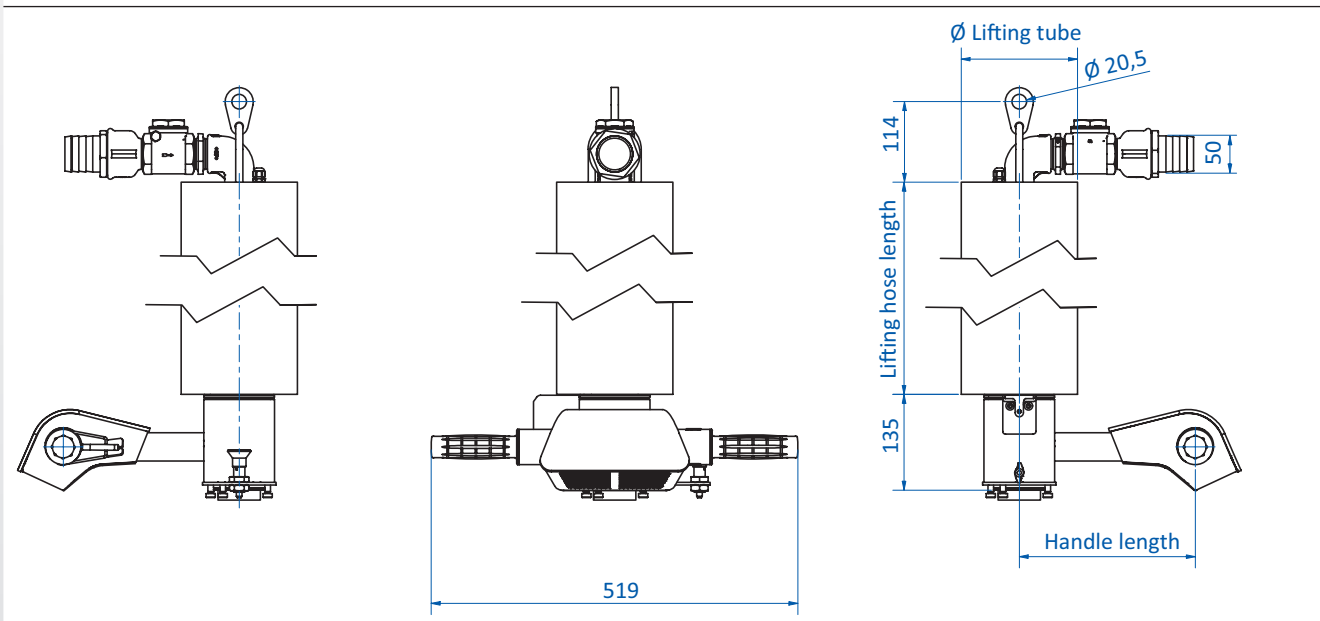
Technical data

Item no.	Ø Lifting tube [mm]	Length Lifting tube [mm]	Stroke [mm]	Handle length [mm]	Max. volume flow [m ³ /h]	Max. Lifting force [kg]	Suitable motor protection switch
SH.SET.MAX.160.250.091	160	2,300	1,860	250	91	71	SH.ACC.ALL.0210 SH.ACC.ALL.0211
SH.SET.MAX.160.250.117	160	2,300	1,860	250	117	71	SH.ACC.ALL.0211 SH.ACC.ALL.0212
SH.SET.MAX.160.250.181	160	2,300	1,860	250	181	92	SH.ACC.ALL.0212 SH.ACC.ALL.0213
SH.SET.MAX.160.250.236	160	2,300	1,860	250	236	92	SH.ACC.ALL.0212 SH.ACC.ALL.0213
SH.SET.MAX.160.500.091	160	2,300	1,860	500	91	71	SH.ACC.ALL.0210 SH.ACC.ALL.0211
SH.SET.MAX.160.500.117	160	2,300	1,860	500	117	71	SH.ACC.ALL.0211 SH.ACC.ALL.0212
SH.SET.MAX.160.500.181	160	2,300	1,860	500	181	92	SH.ACC.ALL.0212 SH.ACC.ALL.0213
SH.SET.MAX.160.500.236	160	2,300	1,860	500	236	92	SH.ACC.ALL.0212 SH.ACC.ALL.0213
SH.SET.MAX.160.750.091	160	2,300	1,860	750	91	71	SH.ACC.ALL.0210 SH.ACC.ALL.0211
SH.SET.MAX.160.750.117	160	2,300	1,860	750	117	71	SH.ACC.ALL.0211 SH.ACC.ALL.0212
SH.SET.MAX.160.750.181	160	2,300	1,860	750	181	92	SH.ACC.ALL.0212 SH.ACC.ALL.0213
SH.SET.MAX.160.750.236	160	2,300	1,860	750	236	92	SH.ACC.ALL.0212 SH.ACC.ALL.0213
SH.SET.MAX.200.250.091	200	2,400	1,930	250	91	112	--
SH.SET.MAX.200.250.117	200	2,400	1,930	250	117	112	--
SH.SET.MAX.200.250.181	200	2,400	1,930	250	181	144	--
SH.SET.MAX.200.250.236	200	2,400	1,930	250	236	144	--
SH.SET.MAX.200.500.091	200	2,400	1,930	500	91	112	--
SH.SET.MAX.200.500.117	200	2,400	1,930	500	117	112	--
SH.SET.MAX.200.500.181	200	2,400	1,930	500	181	144	--
SH.SET.MAX.200.500.236	200	2,400	1,930	500	236	144	--
SH.SET.MAX.200.750.091	200	2,400	1,930	750	91	112	--
SH.SET.MAX.200.750.117	200	2,400	1,930	750	117	112	--
SH.SET.MAX.200.750.181	200	2,400	1,930	750	181	144	--
SH.SET.MAX.200.750.236	200	2,400	1,930	750	236	144	--

Application examples



Dimensions



FIPALIFTmax

FIPALIFTmax – Tube lifter set with vacuum generator

Scope of delivery



- > 1x FIPALIFTmax tube lifter in the selected version
- > 1x side channel blower in selected version
- > 1x filter suitable for the configuration
- > 1x hose between side channel blower and filter in suitable size
- > 1x set of connecting material for hose between side channel blower and filter (hose thread nipples and hose clamps)
- > 1x set of connecting material for hose between filter and hose lifter (hose thread nipples and hose clamps)

Note:

The vacuum hose diameter 50 mm with item number SH.ACC.ALL.0022 must be ordered separately in the required length.

FIPALIFTmax STACKER – Tube lifter set with vacuum generator



Product notes

- > Tube lifter FIPALIFTmax with movable L-handle in set with side channel compactor and mounting material
- > Robust tube lifter for high stacking and unstacking of e.g. boxes, carton boxes or sacks
- > The quick-change adapter, the function to disconnect the vacuum supply as well as a spring balancer for the operating handle are included
- > The lifting hose length is 2.80 m

Technical data

Item no.	Ø Lifting tube [mm]	Length Lifting tube [mm]	Stroke [mm]	Max. volume flow [m³/h]	Max. Lifting force [kg]
SH.SET.MAX.160.STKR.181	160	2,800	2,300	181	92

Application advantage



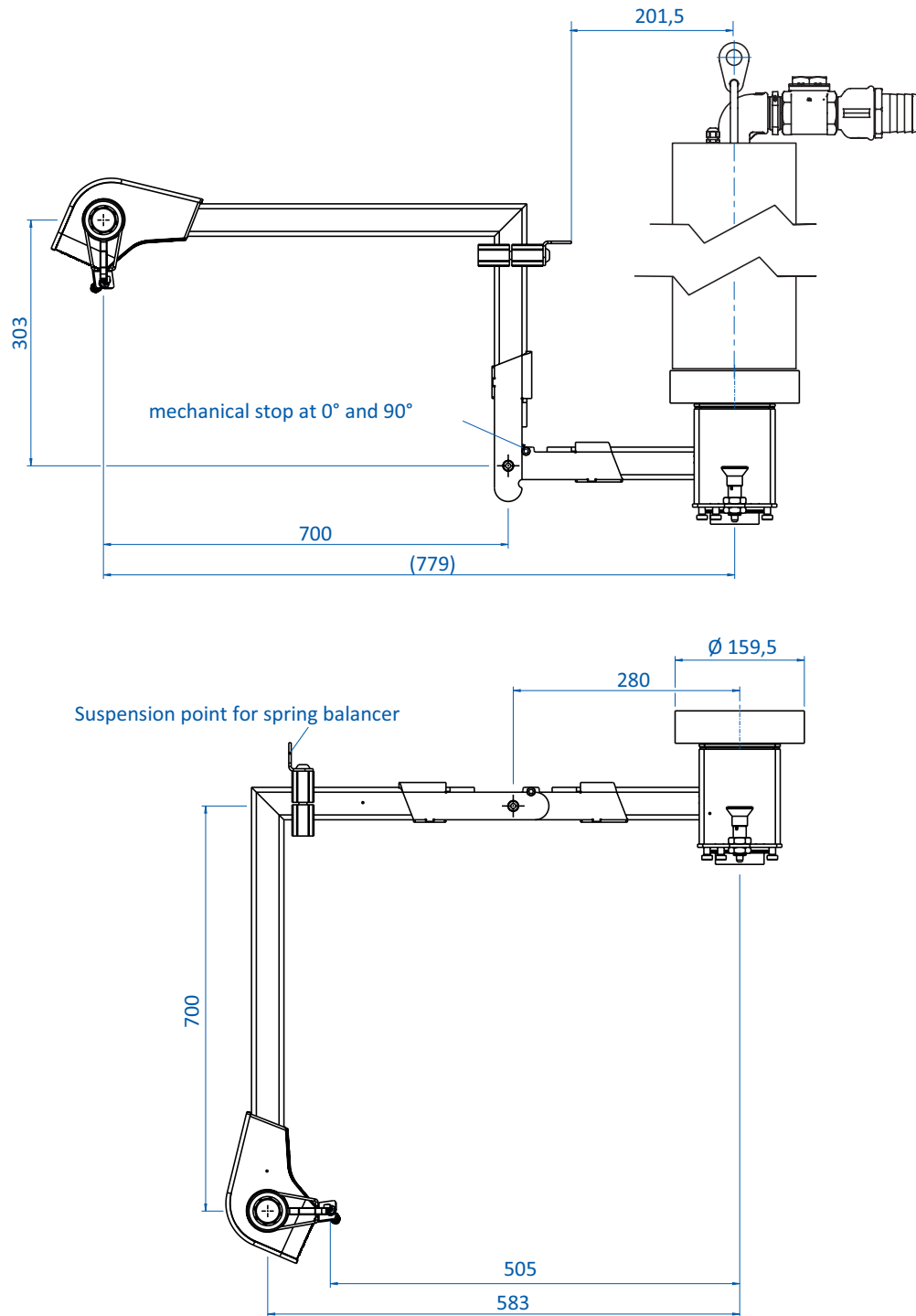
- > Transport costs are high and often depend on both the used and unused freight volumes
- > FIPALIFTmax STACKER facilitates the most efficient use of freight volumes and thus helps you save on transport costs

Continued on the next page →

FIPALIFTmax

FIPALIFTmax STACKER – Tube lifter set with vacuum generator

Dimensions



Sack foot oval 395 x 210 for FIPALIFTmax



Product notes

- > Extra-light suction cup made of plastic with NR foam
- > Well suited for lifting bags but also other goods with uneven surfaces
- > Includes quick-change adapter for FIPALIFTmax for changing the suction cup accessories without tools
- > Includes internal spacer grid to prevent the sack film from being sucked in

Technical data

Item no.	Suitable for	Length [mm]	Width [mm]	Height [mm]	Weight [kg]	Suitable replacement foam
SH.ACC.MAX.0020	FIPALIFTmax to \varnothing 200 mm	395	200	155	2.6	SH.SPP.ALL.0150



FIPALIFTmax

4 Cup Yoke foot rigid crossbars

4 Cup Yoke foot rigid crossbars



Product notes

- > Frames for use with vacuum cups as accessories for FIPALIFTmax
- > For handling plates, sheets or other flat goods but also large boxes or cartons
- > Incl. quick change adapter

Ordering notes

- > Sufficient safety factor is critical.
- > For horizontal handling a safety factor of at least 2.4 is required. For vertical handling, the safety factor increases to at least 4.0.
- > Model -OS: Vacuum cups are not included. You can choose vacuum cups from FIPA's wide range of products – observe the safety factor!

Technical data

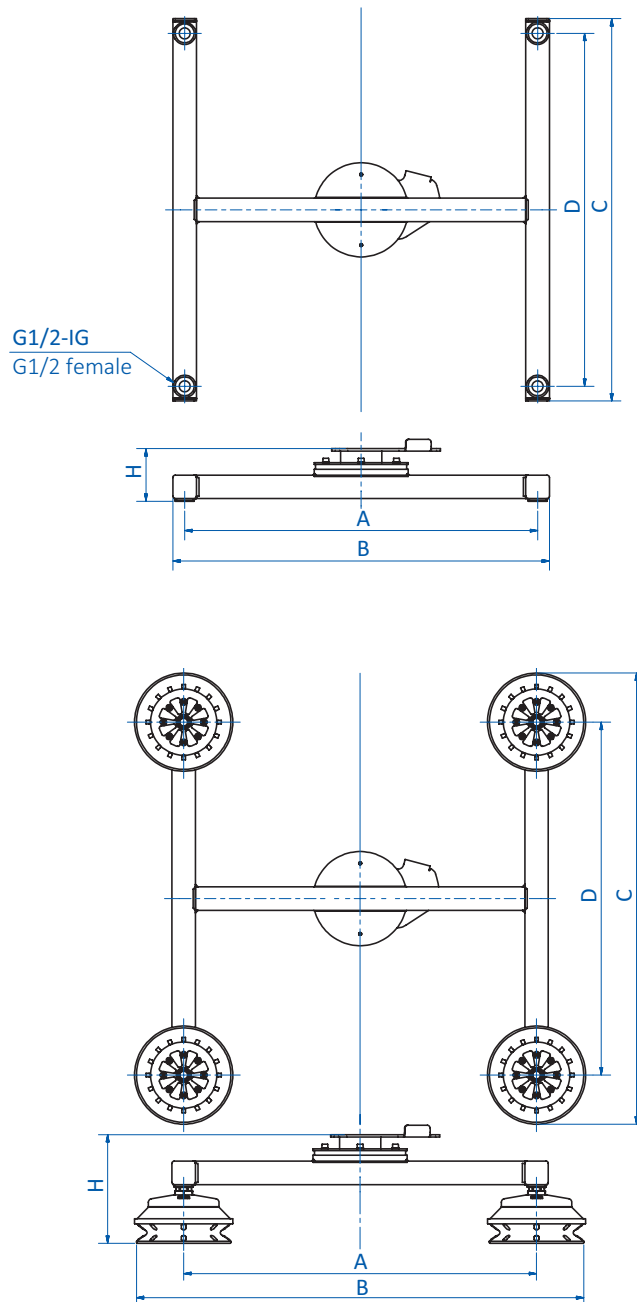
Item no.	with Vacuum cups	Suitable for Lifting tube diameter [mm]	Minimum diameter *) of the vacuum cup [mm] for lifting tube diameter 160 mm	Minimum diameter *) of the vacuum cup [mm] for lifting tube diameter 200 mm
SH.ACC.MAX.0050	4x Varioflex® Bellows vacuum cups Ø 160 mm 22.160.264.16	160	--	--
SH.ACC.MAX.0051	4x Varioflex® Bellows vacuum cups Ø 160 mm 22.160.264.16	160	--	--
SH.ACC.MAX.0052	4x Varioflex® Bellows vacuum cups Ø 160 mm 22.160.264.16	160	--	--
SH.ACC.MAX.0050-OS	without; G1/2 female	--	125	160
SH.ACC.MAX.0051-OS	without; G1/2 female	--	125	160
SH.ACC.MAX.0052-OS	without; G1/2 female	--	125	160

*) active suction area, not outer diameter!

Safety factor by lifting tube Ø

Item no.	Ø 120 mm	Ø 160 mm	Ø 200 mm
SH.ACC.MAX.0050	4.3	2.4	--
SH.ACC.MAX.0051	4.3	2.4	--
SH.ACC.MAX.0052	4.3	2.4	--
SH.ACC.MAX.0050-OS	--	--	--
SH.ACC.MAX.0051-OS	--	--	--
SH.ACC.MAX.0052-OS	--	--	--

Dimensions



Item no.	A [mm]	B [mm]	C [mm]	D [mm]	H [mm]
SH.ACC.MAX.0050	600	767	767	600	185
SH.ACC.MAX.0051	1,200	1,367	767	600	205
SH.ACC.MAX.0052	1,800	1,967	767	600	205
SH.ACC.MAX.0050-OS	600	640	650	600	90
SH.ACC.MAX.0051-OS	1,200	1,240	650	600	110
SH.ACC.MAX.0052-OS	1,800	1,840	650	600	110

FIPALIFTmax

Double rectangular vacuum cups

Double rectangular vacuum cups



Product notes

- > 500 mm bar with 2 rectangular cups. Cups can be adjusted along the bars length to give flexibility in handling different sized objects.
- > Easy to change gasket made of NR
- > Quick-change adapter for FIPALIFTpro included in delivery
- > Mounted to an articulating joint to compensate for surface unevenness

Ordering notes

- > Sufficient safety factor is critical

Technical data

Item no.	with Vacuum cups	Material	Suitable for Lifting tube diameter [mm]	Length [mm]	Width [mm]	Height [mm]	Weight [kg]	Suitable replacement gasket
SH.ACC.MAX.0030	2x rectangular 120x300 mm	NR black	160; 200	420	300	155	5.7	SH.SPP.MAX.0030

Application example



Safety factor by lifting tube \varnothing

Item no.	\varnothing 160 mm	\varnothing 200 mm
SH.ACC.MAX.0030	3.6	2.3



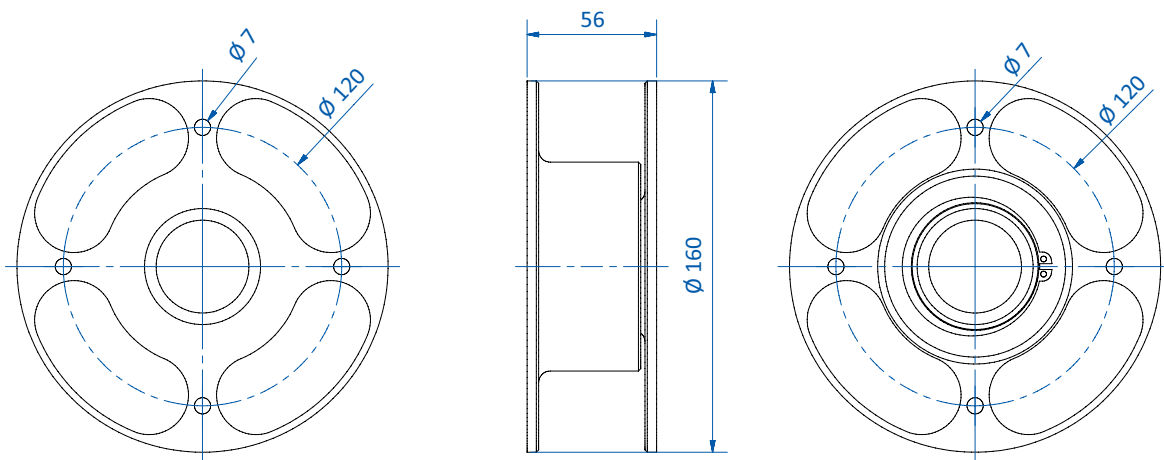
Product notes

- > Joint for stepless 360° rotation of goods
- > Suitable for repositioning of goods to be lifted, e.g. when loading a machine or an pallet
- > For easy mounting between quick-change adapter and yoke foot

Technical data

Item no.	Pivoting range [°]	Max. lifting force [kg]	Weight [kg]
SH.ACC.MAX.0070	360	160	0.96

Dimensions



Vacuum hoses



Product notes

- > Flexible hoses for connecting the vacuum generator and the FIPALIFT
- > Well-suited to installation in cable carriages with strips
- > Order in meter lengths

Notes

Calculation of the required length = [(length of crane track + length of crane bridge) x 1.25] + distance to vacuum pump

Ordering notes

- > Model FIPALIFTpro with rotary vane pump use the vacuum hose with diam. 25 mm
- > Model FIPALIFTpro with side channel compressor use the vacuum hose with diam. 50 mm
- > Model FIPALIFTmax always use the vacuum hose with diam. 50 mm

Technical data

Item no.	Suitable for	Outer diameter [mm]	Inner diameter [mm]	Material	Colour	Bend radius [mm]	Usage temperature [°C (°F)]	Weight [kg/m]
SH.ACC.ALL.0020	FIPALIFTpro	31	25	cold flexible soft PVC with hard PVC helix	light gray	32.5	-25 - 60 (-13 - 140)	0.23
SH.ACC.ALL.0022	FIPALIFTmax and FIPALIFTpro	58	50	cold flexible soft PVC with hard PVC helix	light gray	60	-25 - 60 (-13 - 140)	0.62

Radio remote control ON/OFF for vacuum pumps



Product notes

- > For switching the vacuum pumps on and off from a remote location
- > To avoid unnecessary pump running time and thus helpful to minimize energy costs, pump wear and the noise pollution.
- > Consists of transmitter and receiver
- > The transmitter can be easily clipped to the tube lifter FIPALIFTpro or FIPALIFTmax

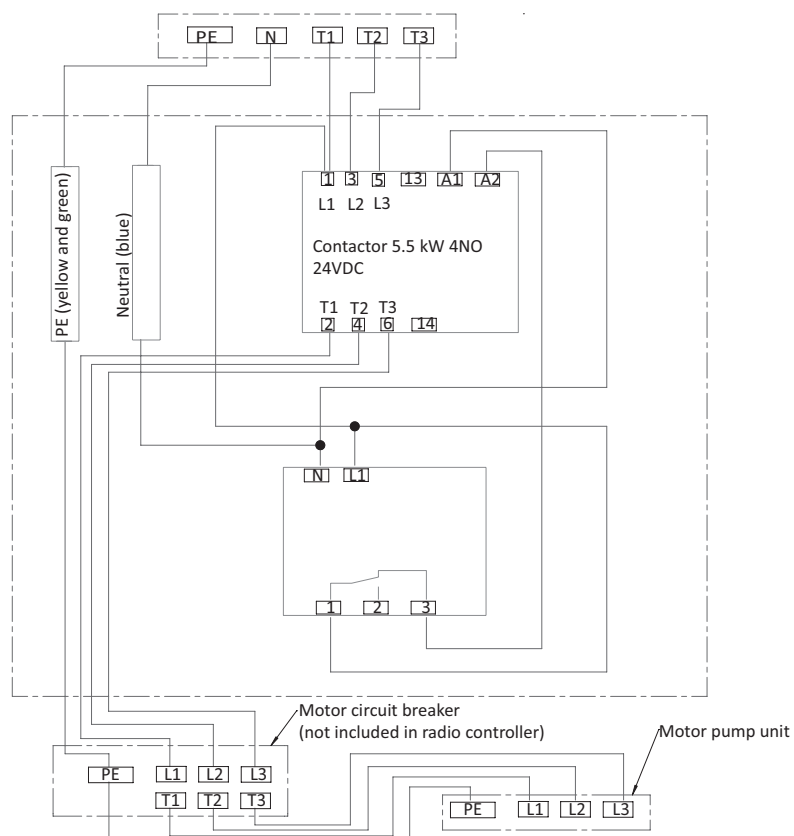
Ordering notes

- > To be used only in conjunction with the pumps offered by FIPA. Electrical suitability in other applications cannot be guaranteed.
- > 2x 1.5V AAA/LR03 alkaline batteries are included in the scope of delivery

Technical data

Item no.	Frequency band [MHz]	IP-Code	Max. Through voltage [V]	Radio communication	Operating temperature [°C (°F)]
SH.ACC.ALL.0200	2,405 - 2,480	65	480	Simplex	-20 - 55 (-4 - 131)

Wiring diagram



Motor protection switch



Product notes

- > Motor protection switch with 3 m cable and with pole-reversible 16A CEE plug, undervoltage release and lockable operating elements.
- > The restart interlock prevents uncontrolled lifting/starting of the uncontrolled lifting / starting of the tube lifter after a power failure.
- > The lockable controls allow the hose lifter to be locked out during of the tube lifter during operation or maintenance work against unauthorised or erroneous operation.
- > The motor protection switches with cable and plug are ideally suited for connecting vacuum pumps or side channel blowers to the mains.
- > Please note how the motor is/was connected when selecting the motor protection switch.

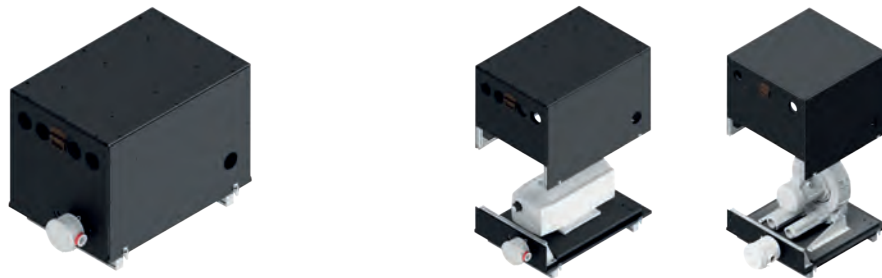
Ordering notes

- > The electrical connection of the motor protection switch to the vacuum pump or the side channel blower is not included in the scope of delivery. Please contact your local electrician separately.

Technical data

Item no.	for rated current [A]	Suitable for
SH.ACC.ALL.0210	2.5 - 4	VPT.40A-3-EU; VPT.40A-3-EU-SH; SKV.D.91-1.5-C-3
SH.ACC.ALL.0211	4 - 6.3	VPT.40A-3-EU; VPT.40A-3-EU-SH; VPT.60A-3-EU; SKV.D.91-1.5-C-3; S KV.D.117-2.2-C-3
SH.ACC.ALL.0212	6.3 - 10	VPT.60A-3-EU; SKV.D.117-2.2-C-3; SKV.D.181-4.0-C-3; SKV.D.236-5.5-C-3
SH.ACC.ALL.0213	10 - 16	SKV.D.181-4.0-C-3; SKV.D.236-5.5-C-3

Silencing boxes



Product notes

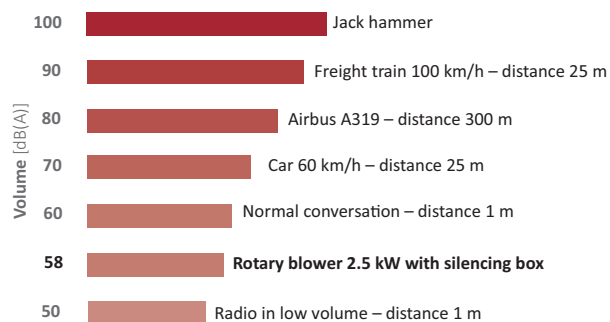
- > Reduces the noise level by approx. 10 dB/A.
- > Continuous noise pollution can lead to hearing damage. We can help you minimize the noise pollution for your employees, and we would be pleased to provide advice.
- > Protects the pump or side channel blower from dirt and damage

Ordering notes

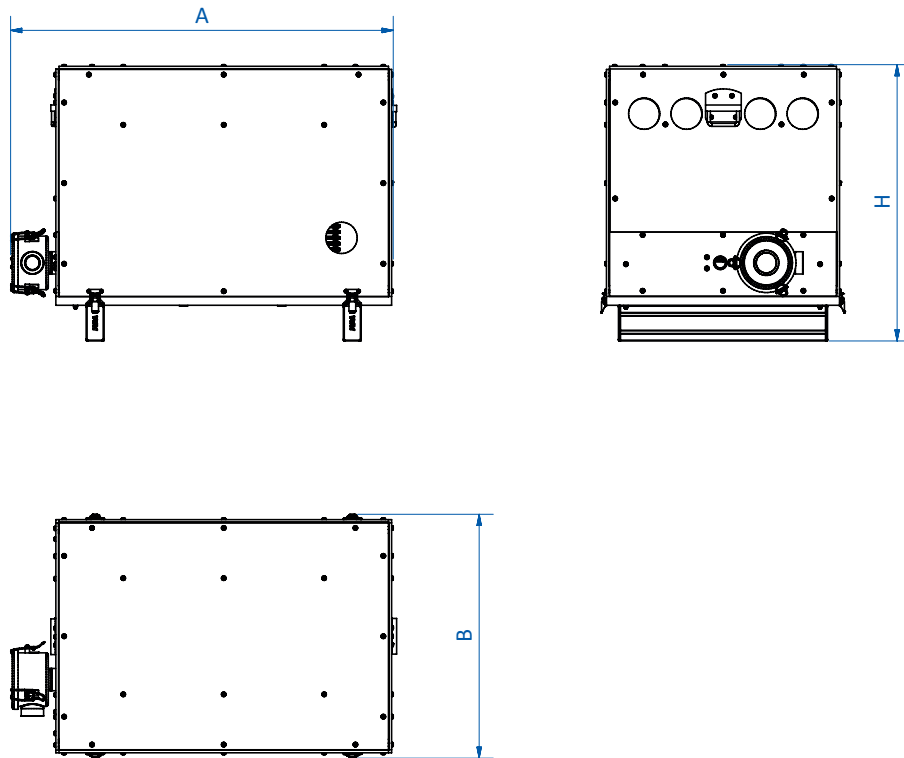
- > Pump or side channel compressor and filter as well as the installation are not included in the scope of delivery

Technical data

Item no.	Suitable for	Weight [kg]
SH.ACC.ALL.0081	VPT.40	22.5
SH.ACC.ALL.0082	VPT.60	28.9
SH.ACC.ALL.0183	SKV.D.181	28.4
SH.ACC.ALL.0184	SKV.D.91; SKV.D.117	58.1
SH.ACC.ALL.0185	SKV.D.236	73.5



Dimensions



Item no.	A [mm]	B [mm]	H [mm]
SH.ACC.ALL.0081	865	546	619
SH.ACC.ALL.0082	1,050	626	654
SH.ACC.ALL.0183	939	716	714
SH.ACC.ALL.0184	864	636	644
SH.ACC.ALL.0185	973	746	729

FIPA Spider for load up to 500 kg



Vacuum lifters are superior to classic lifting devices with slings due to their faster and easier handling. Place the vacuum cup, press the manual slide valve and wait two to three seconds until the vacuum is generated. It is this easy to work with the vacuum lifter FIPA Spider!

The vacuum lifter FIPA Spider is a vacuum traverse that was developed with „plug & play“ for use on a chain hoist.

Vacuum traverses, also called vacuum lifters in general, are used for **handling plates, panes and sheets**. Vacuum lifters are especially used in the **wood, sheet metal and glass processing industries**. They make the loading of processing machines and the storage of various goods much easier.

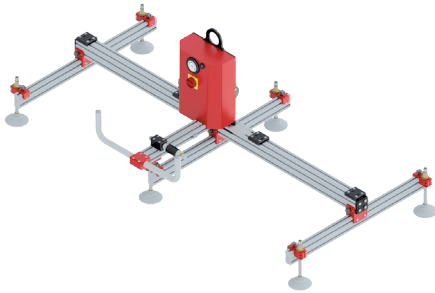
The FIPA Spider is available as standard for loads up to 250 and 500 kg. We can adapt the cross beam to meet your needs with a variety of accessories.

- > **Fitting for the crane bulb** for fastening the chain control on the operating handle
- > **Signal lamp** for optical warning in loud working environments
- > **Hinge** for a flexible control panel ensures an upright position, even at a low working height
- > **Additional cross beams** ensure a large suction area and improve the support of deformed materials
- > **Variable selection of vacuum cups**, depending on the application

The modular construction makes it possible to **develop special versions quickly and easily** – we will be happy to consult you! FIPA also offers chain hoists and cranes that are compatible with our vacuum traverses. The competent FIPA team takes care of the complete system, from planning through to turnkey installation.

Vacuum lifter FIPA Spider

PLUG & PLAY



Product notes

- > Suitable for the horizontal handling of plates, sheets or panes
- > Easy to operate per manual slide valve, only one person required to safely lift the load
- > Easy to install: hang – plug in – done
- > Low dead weight through lightweight construction with aluminum
- > Loads up to 250 kg and 500 kg with suction-tight surfaces
- > The vacuum lifter is used on a chain hoist
- > The DT.5 vacuum pump is included with delivery
- > Using the ergonomic operating handle, the length of the control rod can be adjusted up to 2 m
- > Special versions can be produced to meet customer needs
- > The load is handled in a way that protects the material and avoids damage
- > Fast and efficient work through the omission of the fastening
- > Please enter the desired length of the operating unit if needed (up to 2 m)
- > If desired, the FIPA accessories can be installed in the factory when a new order is placed
- > The weight may vary depending on the choice of vacuum cup
- > Recommended vacuum cups:
 - Flat vacuum cups 152.191.025.1, for sheet metal for example
 - Bellows vacuum cups Varioflex® 22.160.265.16 for wood and rough surfaces
- > Vacuum cups are not included in the scope of delivery

Notes

- > The vacuum lifter satisfies DIN EN 13155
- > Single-phase electrical connection over the chain hoist (spiral cable is available as an accessory) – the FIPA Spider has a Schuko plug
- > The specified load values refer to the suction-tight surfaces. Suction trials must be implemented if the material is porous or rough. We can also implement the trials for you if requested.

Technical data

Item no.	TR01.250.2000-2-1000	TR01.500.2000-3-1000
Admissible work load [kg]	250	500
Suction power at 50 Hz [m ³ /h]	5	5
Power supply at 50 Hz [V]	220-240	220-240
Rated power [kW]	0.12	0.12
Noise level at 50 Hz [dB(A)]	60	60
Vacuum reserves [l]	5.35	5.35
Number of vacuum cups	4	6
Connection thread vacuum cups	G1/2	G1/2
Weight [kg]	60	65

Continued on the next page →

FIPA Spider

Vacuum lifter FIPA Spider

Operator control unit

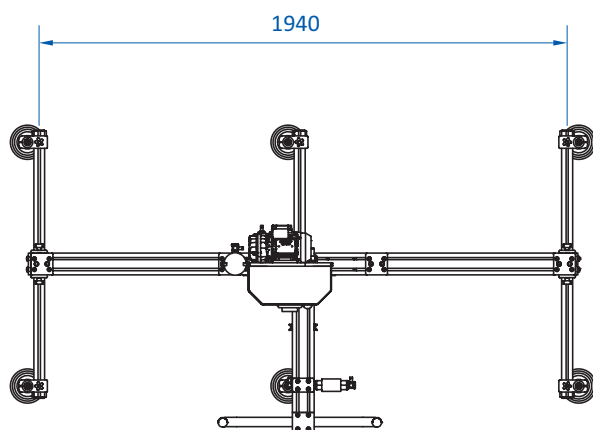
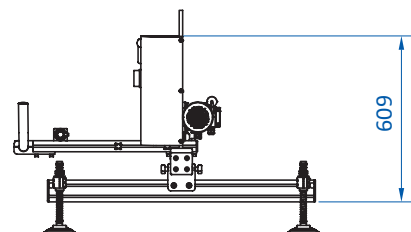
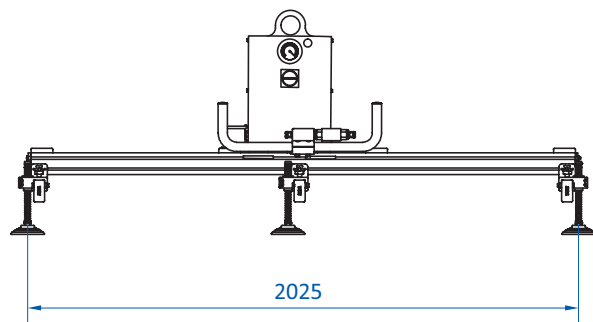


The operator control unit is ergonomically shaped. We will adapt the length to your needs.

Application example



Dimensions



FIPA accepting the challenge



Vacuum, gripping and lifting technology
for reliable and efficient handling